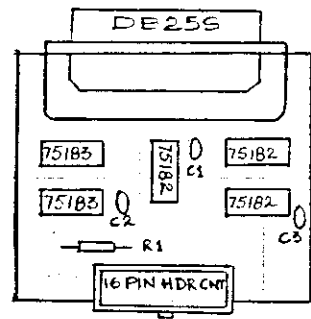
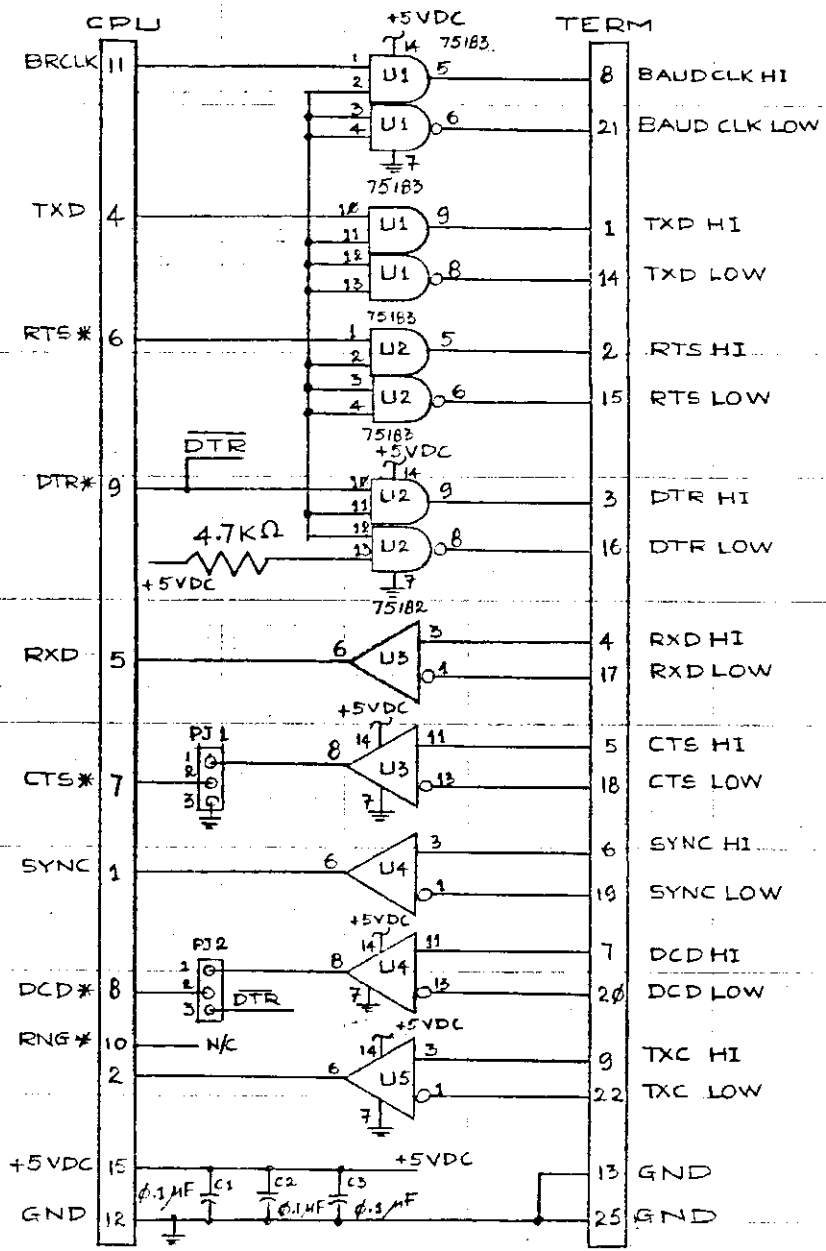


DESIGNED:	
REV: A	
SCHEMATIC/LOGIC DIAGRAM FOR LONG DISTANCE SERIAL LINK PERSONALITY BOARD	
PART NO. LDS108	
SH1 OF 1	



DESIGNED:	
REV: A	SCHMATIC/LOGIC DIAGRAM FOR RS422 SERIAL COMMUNICATION PERSONALITY BOARD
	PART NO. FTT100-1
	SH1 OF 1